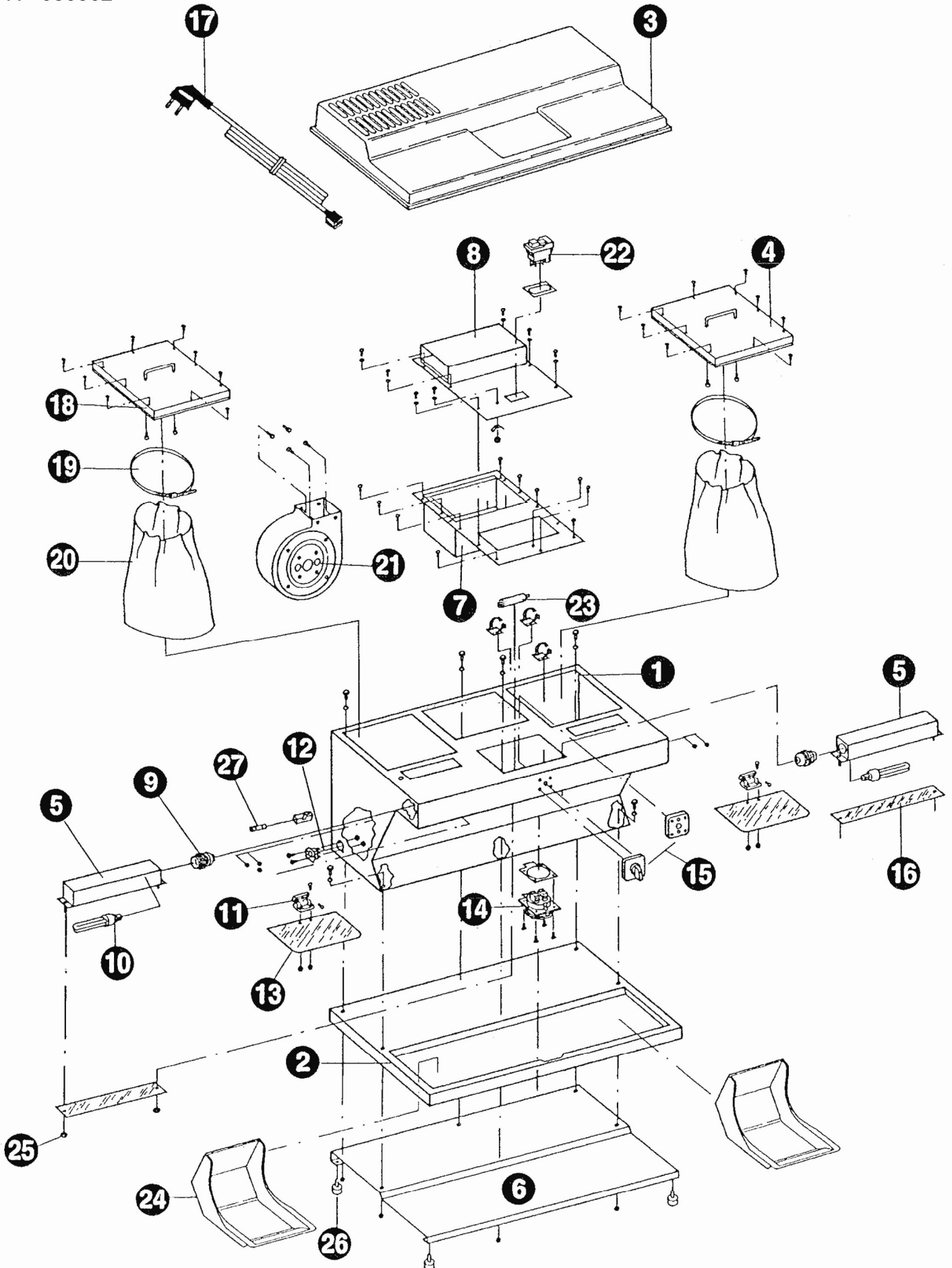


MESTRA®

BOX CON ASPIRACIÓN PARA PULIDO
BOX WITH EXHAUSTER FOR POLISHING
BOX DE POLISSAGE AVEC ASPIRATION
R - 080502



MESTRA®

BOX CON ASPIRACIÓN PARA PULIDO
BOX WITH EXHAUSTER FOR POLISHING
BOX DE POLISSAGE AVEC ASPIRATION
R-080502

| Nº | Ref. | DESCRIPCION | DESCRIPTION |
|----|------------|---------------------------------|------------------------|
| 1 | 080502-01 | Carcasa | Housing |
| 2 | 080502-02 | Base plástico | Plastic base |
| 3 | 080500-02 | Tapa plástico | Plastic lid |
| 4 | 080502-04 | Tapa portafiltros | Filter holder lid |
| 5 | 080502-05 | Porta lámparas | Lamp holder |
| 6 | 080502-06 | Base chapa | Metal base |
| 7 | 080502-07 | Porta ventilador | Fan holder |
| 8 | 080502-08 | Tapa superior | Upper lid |
| 9 | 080502-09 | Casquillo | Bushing |
| 10 | 080502-10 | Lámpara (230V) | Lamp (230V) |
| | 080502-10B | Lámpara (115V) | Lamp (115V) |
| 11 | 080502-11 | Bisagra | Hinge |
| 12 | 080502-12 | Base de conexión | Connection base |
| 13 | 080502-13 | Visera | Visor |
| 14 | 080084-01 | Base enchufe Schuko | Schuko base |
| 15 | 080500-16 | Interruptor ventilador | Fan switch |
| 16 | 080502-16 | Pantalla lámpara | Lamp shield |
| 17 | 000250 | Cable (230V) | Cable (230V) |
| | 000252 | Cable (115V) | Cable (115V) |
| 18 | 080500-03 | Porta filtros | Filter holder |
| 19 | 080500-04 | Abrazadera | Clamp |
| 20 | 080500-05 | Filtro | Filter |
| 21 | 080500-23 | Extractor (230V) | Extractor (230V) |
| | 080500-23B | Extractor (115V) | Extractor (115V) |
| 22 | 080080-40 | Interruptor de seguridad (230V) | Safe switch (230V) |
| | 080080-40B | Interruptor de seguridad (115V) | Safe switch (115V) |
| 23 | 080500-33 | Condensador 6 µF (230V) | 6 µF capacitor (230V) |
| | 080500-33B | Condensador 20 µF (115V) | 20 µF capacitor (115V) |
| 24 | 080500-17 | Pantalla goma | Rubber guard |
| 25 | 080500-11 | Tuerca lámparas | Lamp nuts |
| 26 | 080500-42 | Patas | Legs |
| 27 | 000236 | Fusible 7A | Fuse 7A |
| | 000237 | Fusible 15A | Fuse 15A |