

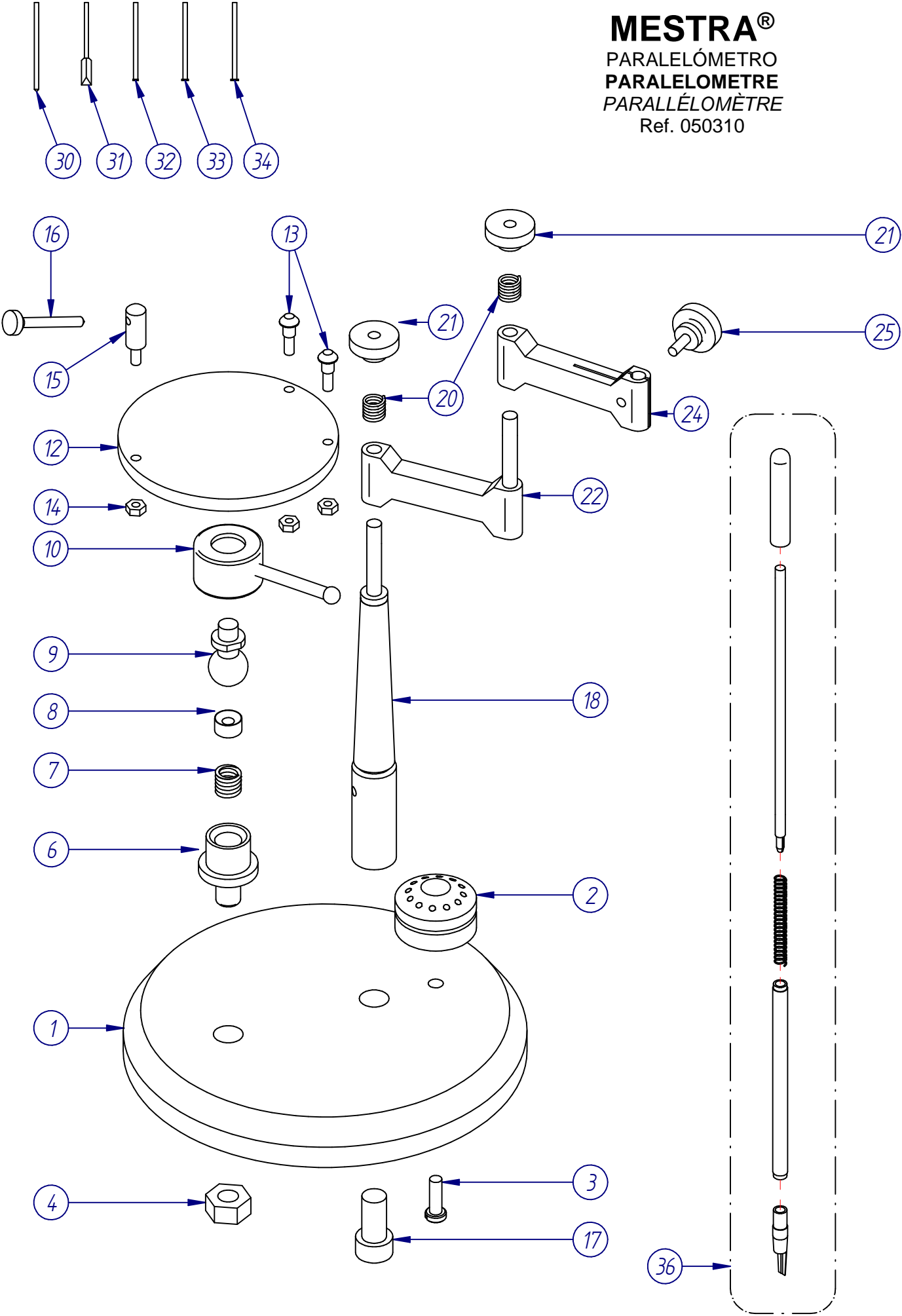
MESTRA®

PARALELÓMETRO

PARALELOMETRE

PARALLÉLOMÈTRE

Ref. 050310



MESTRA®

PARALELÓMETRO
PARALELOMETRE
PARALLÉLOMÈTRE
R-050310

N.	Ref.	Descripción	Description
1	050310-01	Base	Base
2	050310-02	Soporte minas	Point support
3	050310-03	Tornillo soporte minas	Point support bolt
4	050310-04	Tuerca rótula	Ball nut
6	050310-06	Porta rótula	Ball holder
7	050310-07	Muelle rótula	Ball spring
8	050310-08	Casquillo rótula	Ball bushing
9	050310-09	Rótula	Ball joint
10	050310-10	Fija rótula	Ball fixing
12	050310-12	Base porta modelo	Model holder
13	050310-13	Pivote tope modelo	Model stop
14	050310-14	Tuerca tope modelo	Model stop nut
15	050310-15	Tornillo porta aguja	Neddle bolt
16	050310-16	Aguja centrado	Centering neddle
17	050310-17	Tornillo sujeta eje	Shaft bolt
18	050310-18	Eje central	Central shaft
20	050310-20	Muelle articulaciones	Articulation spring
21	050310-21	Tuercas articulaciones	Articulation nut
22	050310-22	Primera articulación	First articulation
24	050310-24	Segunda articulación	Second articulation
25	050310-25	Tuerca fijación lapicero	Pen nut
30	050310-30	Ala recta varilla analizante	Straight point
31	050310-31	Espátula paralelómetro	Spatula
32	050310-32	Punta ala 0,25	0.25 wing point
33	050310-33	Punta ala 0,50	0.50 wing point
34	050310-34	Punta ala 0,75	0.75 wing point
35	050310-35	Minas lapicero (caja 6 U.)	Pen points (6 U. box)
36	050311	Conjunto lapicero	Pen assembly